



1160 Series UNI Series-Light Duty Caster (All Plastic)

- Housing made from high grade synthetic material, equipped with smooth and easy rolling non-marking wheel. Center brake pedal for easy activation and deactivation. Stainless steel components are also available.



» Features



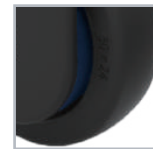
Center Brake



E-Conductive

E-conductive wheel,
Plain bearing,
Non-marking

» Wheel Options



TPR on PP Core



Plain Bearing

» TOP PLATE SIZE AND BOLT HOLE SPACING

Top Plate Size	Bolt Hole Spacing	Attaching Bolt Size
42X42mm	32X32mm	M4/M5
60X60mm	42.5X42.5mm	M6

» CYLINDRICAL STEM SPECIFICATION

Diameter x Length	Hole Height	Bore Size
11X38mm	—	Grip Ring
11X22mm	—	Grip Ring

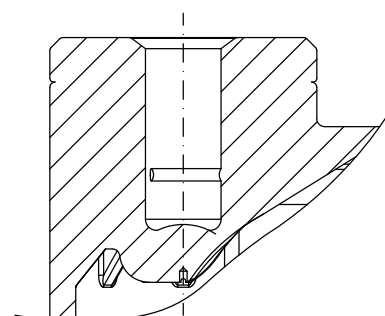
» THREADED STEM SPECIFICATION

M8X15mm	M8X25mm	3/8-16UNCX15mm	3/8-16UNCX25mm
M10X25mm	M12X25mm	1/2-12UNCX25mm	—

» BLIND HOLE

Center Hole

10mm





Diameter×Width	Specification	Load	Material	Item No.		Bearing	Overall Height	Offset	Swivel radius
				Swivel	Center Brake				
51mmx20mm (2"x13/16")	Plate	30kgs(66lbs)	TPR on PP Core	11600200262013	11600200264013	Plain Bearing	86.5mm	24mm	Swivel 50mm Swivel W/Brake 71mm
				11600200262023	11600200264023				
	Threaded Stem	30kgs(66lbs)	TPR on PP Core	11600200265043	11600200266043		79.5mm		
				11600200265033	11600200266033				
				11600200265023	11600200266023				
				11600200265223	11600200266223				
				11600200265013	11600200266013				
				11600200265293	11600200266293				
	Blind Hole	30kgs(66lbs)	TPR on PP Core	11600200269213	11600200269413		74mm		
				Cylindrical Stem	30kgs(66lbs)		TPR on PP Core		
11600200267043	11600200268043								
80mmx24mm (3.2"x1")	Plate	40kgs(88lbs)	TPR on PP Core	11602300262013	11602300264013	Plain Bearing	116.5mm	34mm	Swivel 74.5mm Swivel W/Brake 105mm
				11602300262023	11602300264023				
	Threaded Stem	40kgs(88lbs)	TPR on PP Core	11602300265043	11602300266043		109.5mm		
				11602300265033	11602300266033				
				11602300265023	11602300266023				
				11602300265223	11602300266223				
				11602300265013	11602300266013				
				11602300265293	11602300266293				
	Blind Hole	40kgs(88lbs)	TPR on PP Core	11602300269213	11602300269413		104mm		
				Cylindrical Stem	40kgs(88lbs)		TPR on PP Core		
11602300267043	11602300268043								

