

ERSHENG[®]

Power Drive



Safety

- Push Button Start
- Reduce Risk of sudden unintended acceleration

Time Saving

- Electric assistance to save time

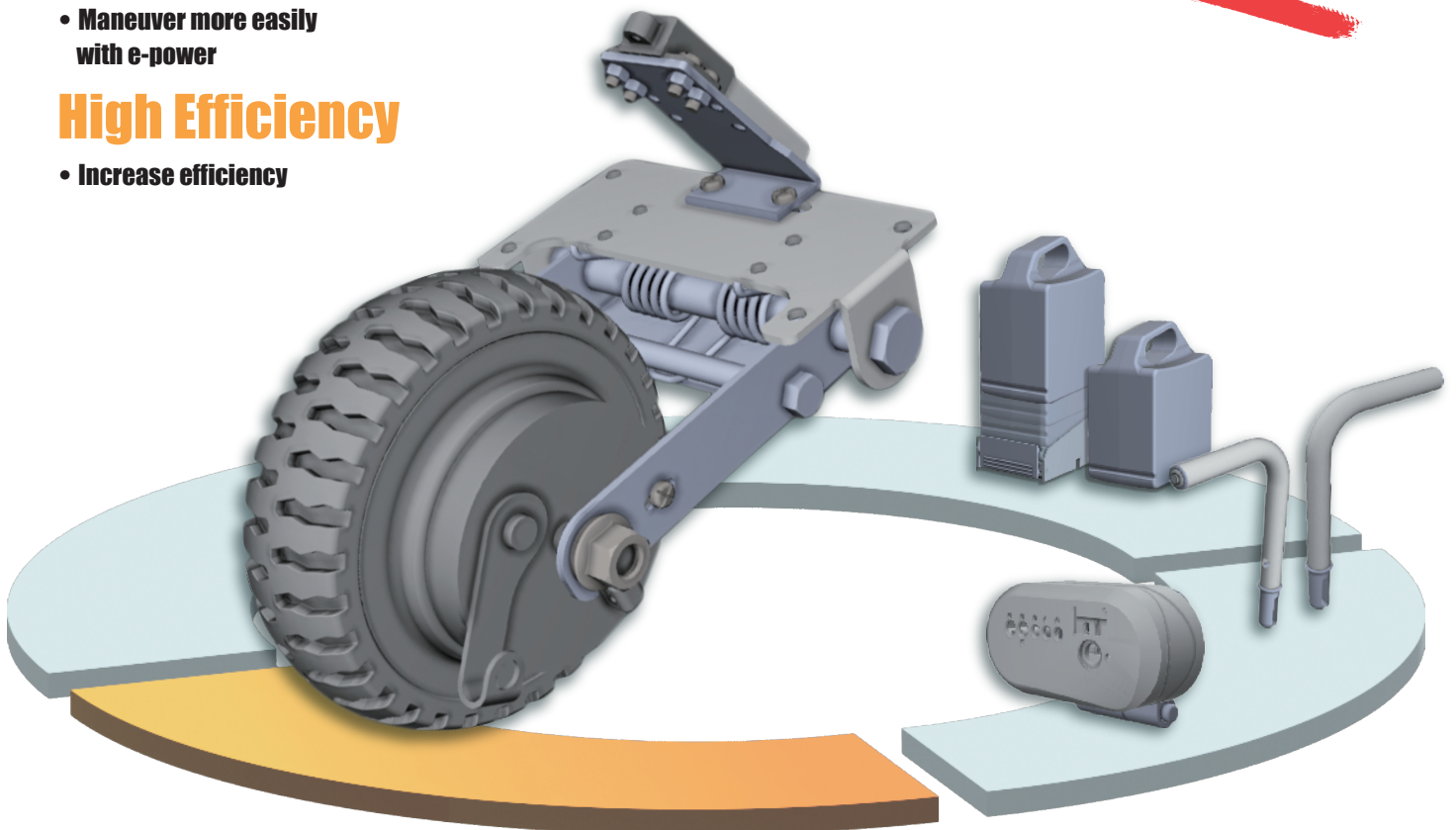
Labor Saving

- Maneuver more easily with e-power

High Efficiency

- Increase efficiency

ERSHENG[®] Power Drive
Excellent Choice!

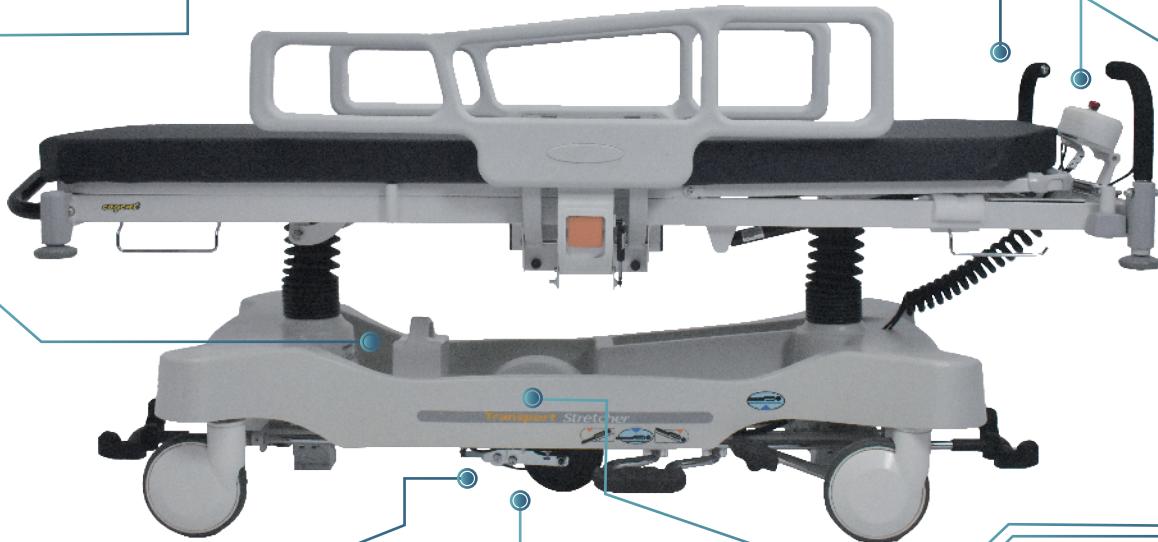


Product Features

Swappable Battery
Easy to swap
within seconds

Push Button Start
Reduce Risk of sudden
unintended acceleration

Ergonomic panel design
Adjustable
height and angle

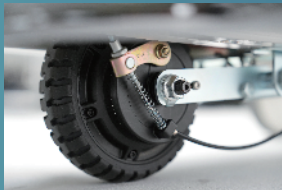


**Retractable
Power Drive wheel**
Allow the bed
to be pushed sideways

Non-marking wheels
Floor protection
and Silent drive

Spring caster
designed to
Compensate for
uneven surface

Physical display



Load Information

Maximum Load : 300KG

*includes the weight of the hospital bed

Climbing

Maximum Climbing Angle: 5 degrees

*Under the condition of carrying a weight of 150 kgs

Battery Life

Standby Mode : 36 hours

Continuous Use : 2 hours

Normal Intermittent Use : 6 - 8 hours