



# 1166 Series

## 66系列平衡輪 Stabilizing Caster

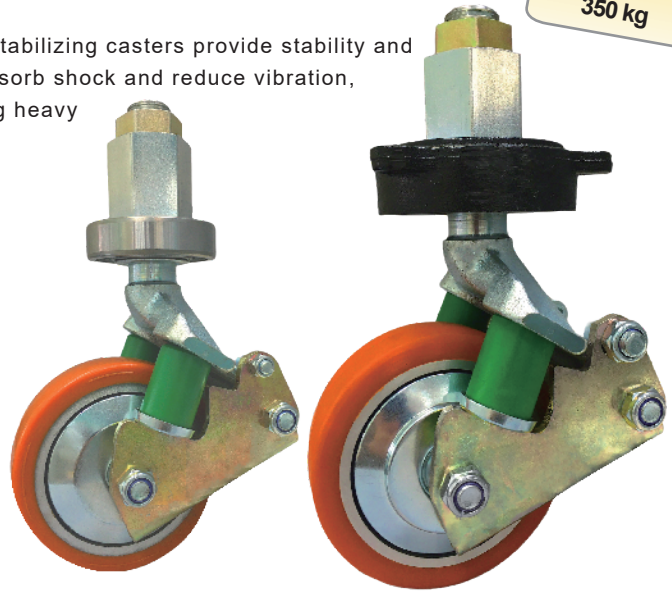
● 66系列的腳輪支架是一體鑄造成型，輔助精密加工製作完成，具有結構緊密，強度高等特性，兼顧載重大和減震，及可調節高度等功能。為叉車專用腳輪。

○ Designed for various industrial environments, Dersheng's stabilizing casters provide stability and long life time for forklifts. The spring-loaded casters will absorb shock and reduce vibration, making it safer and more easy to operate when transporting heavy load or fragile materials.

Features and benefits include:

- Fork made of high-quality solid cast steel, no welds.
- Easy to install.
- Total height adjustable
- Engineered with high tech polyurethane spring, with three different hardness/tension to choose from
- Equipped with premium Xtremethane® compound wheel.
- Maintenance - free, sealed Wheel Bearings and Swivel Head Bearing

載重  
Load  
350 kg



### 特色區 Features



### 輪子選項 Wheel Options



鋁芯XPU  
XPU on AL Core



鐵芯XPU  
XPU on Iron Core

» 六角調節軸承座 HEXAGON HEAD THREADED STEM SPECIFICATION

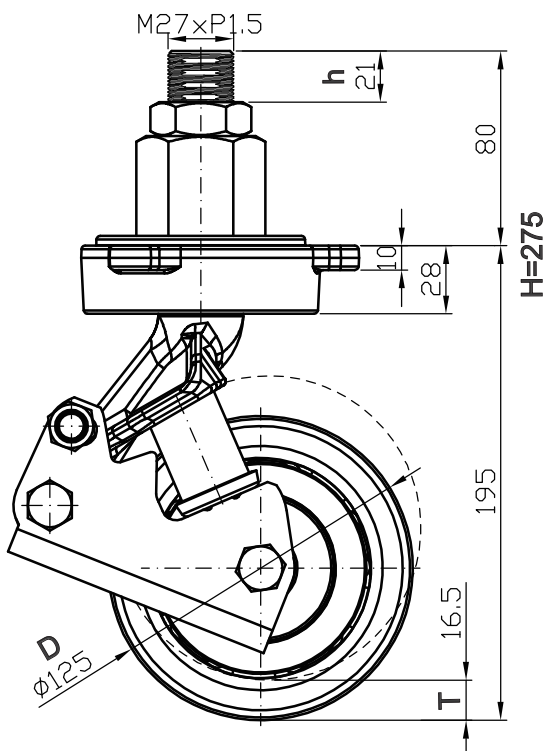
絲扣牙徑 Threaded Size	六角對邊尺寸 Width Across Flats	軸承 Bearing	軸承厚度 Bearing Thickness
M27-P1.5	46	6208	18
M27-P1.5	46	6307特 6307(special)	21

» 軸承固定座 BEARING HOUSING

固定座直徑 Housing Diameter	軸承座孔徑 Housing Bolt Hole Diameter	軸承座孔距 Housing Bolt Hole Spacing
110	8.5	95.3

輪子尺寸 Size	材質 Material	輪徑 Wheel Diameter (mm) D	輪寬 Wheel Width (mm)	減震彈簧 Spring	載重 Load	軸承 Bearing	總高 Overall Height (mm) H	可調整高度 Height Adjustment (mm) h	彈簧行程 Spring Travel (mm) T	迴旋半徑 Swivel Radius (mm)	型號 Item Number
5"	AXPU輪 AXPU	125	40	綠色 Green	350kgs	滾珠 Ball Bearing	275	21	16.5	91	1166-05-114-2
5"	XPU輪 XPU	125	40	綠色 Green	350kgs	滾珠 Ball Bearing	275	21	16.5	91	1166-05-96-2

66系列平衡輪  
Stabilizing Caster



軸承固定座  
Bearing Housing

