



1160 Series

UNI系列

UNI Series-Light Duty Caster (All Plastic)

- 轉動靈活、外型美觀，行走穩定順暢，另有不銹鋼材質的五金件可供選擇
- Housing made from high grade synthetic material, equipped with smooth and easy rolling non-marking wheel. Center brake pedal for easy activation and deactivation. Stainless steel components are also available.



特色區 Features



中煞
Center Brake



搭配導電輪時，輪子的防塵蓋會做黃色，以做區分
E-conductive wheel,
Plain bearing,
Non-marking

導電輪
E-Conductive

輪子選項 Wheel Options



超級人造膠
TPR on PP Core



中管
Plain Bearing

底板規格 TOP PLATE SIZE AND BOLT HOLE SPACING

底板尺寸 Top Plate Size	底板孔距 Bolt Hole Spacing	安裝尼帽尺寸 Attaching Bolt Size
42X42mm	32X32mm	M4/M5
60X60mm	42.5X42.5mm	M6

插桿規格 CYLINDRICAL STEM SPECIFICATION

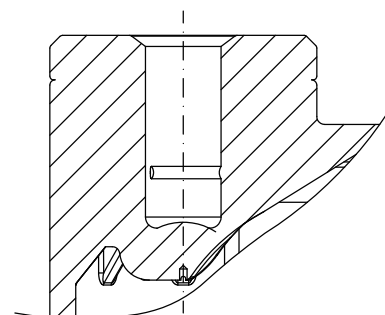
插桿直徑 X 長度 Diameter x Length	孔位高度 Hole Height	孔尺寸 Bore Size
11X38mm	—	C型銅扣環(Grip Ring)
11X22mm	—	C型環(Grip Ring)

絲扣規格 THREADED STEM SPECIFICATION

M8X15mm	M8X25mm	3/8-16UNCX15mm	3/8-16UNCX25mm
M10X25mm	M12X25mm	1/2-12UNCX25mm	—

盲孔規格 BLIND HOLE

孔徑 Center Hole
10mm





輪徑x輪寬 DiameterxWidth	規格 Specification	載重 Load	材質 Material	品號 Item No.		軸承 Bearing	總高 Overall Height	偏心距 Offset	迴旋半徑 Swivel radius
				活動 Swivel	中煞 Center Brake				
51mmx20mm (2"x13/16")	四角底板 Plate	30kgs(66lbs)	超級人造膠 TPR on PP Core	11600200262013	11600200264013	中管 Plain Bearing	86.5mm	24mm	活動 50mm 煞車 71mm Swivel 50mm Swivel W/Brake 71mm
				11600200262023	11600200264023				
	絲扣 Threaded Stem	30kgs(66lbs)	超級人造膠 TPR on PP Core	11600200265043	11600200266043		79.5mm		
				11600200265033	11600200266033				
				11600200265023	11600200266023				
				11600200265223	11600200266223				
				11600200265013	11600200266013				
				11600200265293	11600200266293				
	盲孔 Blind Hole	30kgs(66lbs)	超級人造膠 TPR on PP Core	11600200269213	11600200269413		74mm		
	插桿 Cylindrical Stem	30kgs(66lbs)	超級人造膠 TPR on PP Core	11600200267023	11600200268023		79.5mm		
				11600200267043	11600200268043				
	80mmx24mm (3.2"x1")	四角底板 Plate	40kgs(88lbs)	超級人造膠 TPR on PP Core	11602300262013		11602300264013		
11602300262023					11602300264023				
絲扣 Threaded Stem		40kgs(88lbs)	超級人造膠 TPR on PP Core	11602300265043	11602300266043	109.5mm			
				11602300265033	11602300266033				
				11602300265023	11602300266023				
				11602300265223	11602300266223				
				11602300265013	11602300266013				
				11602300265293	11602300266293				
盲孔 Blind Hole		40kgs(88lbs)	超級人造膠 TPR on PP Core	11602300269213	11602300269413	104mm			
插桿 Cylindrical Stem		40kgs(88lbs)	超級人造膠 TPR on PP Core	11602300267023	11602300268023	109.5mm			
				11602300267043	11602300268043				

